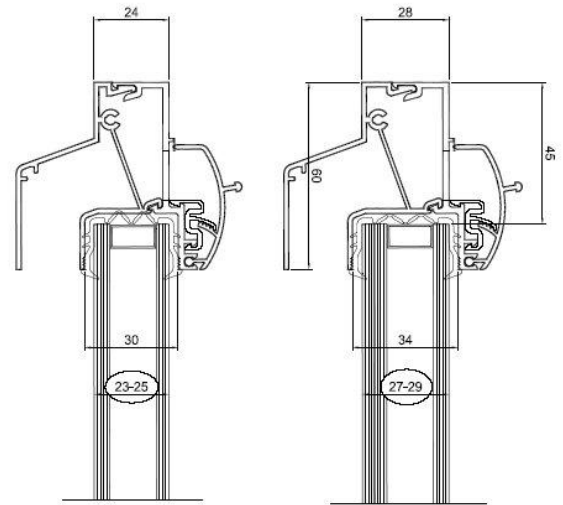


Technical details GI45 Ventilation System

- Manufacturer** ALU+ limited
- Description**
- The ALU+ GI45 is a thermally broken glazed in vent manufactured from aluminium extrusion.
 - The internal controllable vent provides upward ventilation.
 - The punched outer profile forms an insect screen.
 - The ALU+ GI45 is suitable for uPVC, timber and aluminium windows.
 - Designed for easy cutting and assembling.



Material Aluminium extrusion AlMgSi 0,5 to Din 1748
 End caps : ABS type Magnum – (colourfast)
 White, black or light oak.
 Screws : stainless steel screws type 3,5x19 (Philips)

Supply & Finish Supplied ready made.
 Available in all finishes (Mill finish, Ral, Synthapulvin, Interpond,...)
 Dual colour available.

Free Area

Free Area	2000 mm ²	3000 mm ²	4000 mm ²	6000 mm ²	6500 mm ²	8000 mm ²
Length	196 mm	269 mm	343 mm	487 mm	526 mm	635 mm

Length – Includes End caps

Product Performance

Air permeability (vent closed) BS EN 1026 (m³/h)

	50Pa	100Pa	150Pa	300Pa	600Pa
1000 mm	0.2	0.2	3.1	8.4	21.6

Airflow Performance EN13141-1 (l/s)

Pressure Difference	qv, l/s)	Equivalent Area, mm ²
1 Pa	7,6	9671
2 Pa	10,9	9807
4 Pa	15,7	9988
8 Pa	21,7	9763
10 Pa	24,7	9939
20 Pa	34,6	9844

